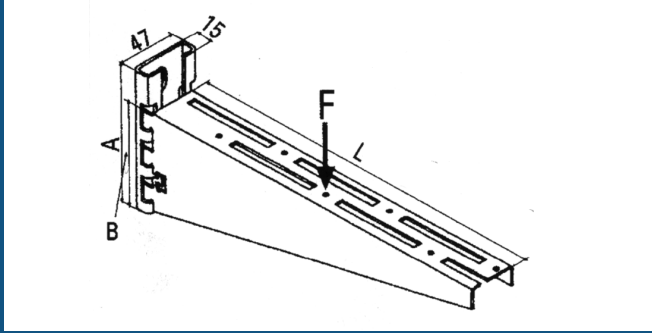


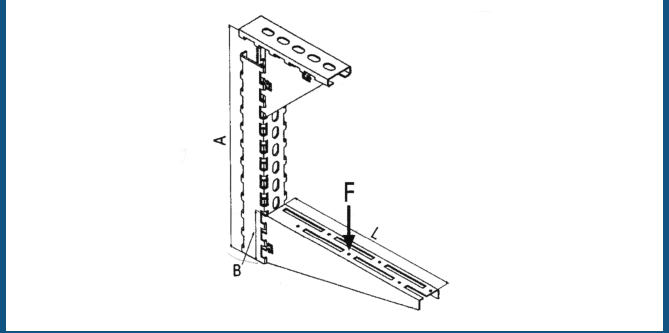
WEB-LOK® Inter-Locking Support System

Wall Mounted Brackets



L	A	B	F/Kg
100	84	53	190
200	114	83	160
300	114	83	110
400	144	113	210
500	174	143	190
600	174	143	170

Ceiling Pendant Supports

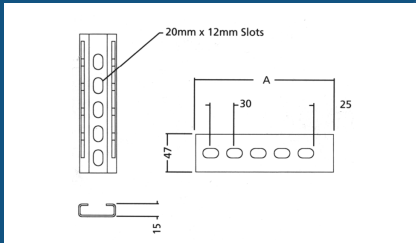


L	A	B	F/Kg*
100	385	53	100
200	385	83	90
300	385	83	65
400	385	113	80
500	385	143	90
600	385	143	80

All measurements quoted are in millimetres. All weights quoted are in kilograms.

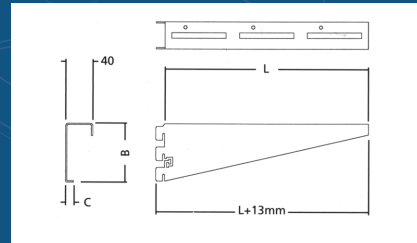
*Loads tested on typical drop of 385mm. WEB-LOK® is manufactured under licence.

Back Plates



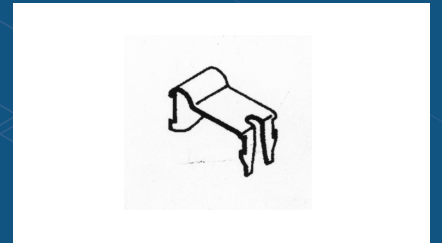
Part No.	A	For Connecting	Wt
WLBP84	84	WLCA100	0.09
WLBP114	114	WLCA200 & 300	0.12
WLBP144	144	WLCA400	0.15
WLBP174	174	WLCA500 & 600, WLFA	0.17

Cantilever Arm



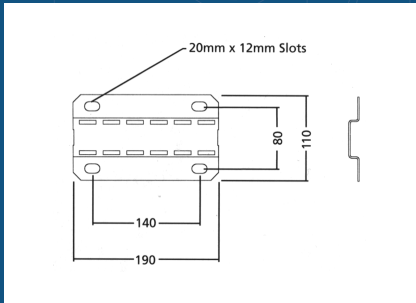
Part No.	L	B	C	Wt
WLCA100	100	53	-	0.13
WLCA200	200	83	-	0.28
WLCA300	300	83	-	0.42
WLCA400	400	113	11	0.72
WLCA500	500	143	11	0.99
WLCA600	600	143	11	1.19

Basket Clips



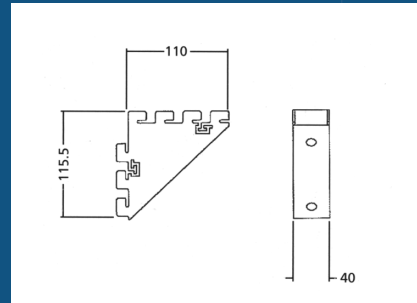
Part No.
WLBC

Heavy Duty Ceiling Bracket



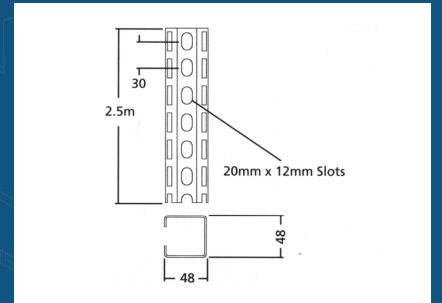
Part No.	Wt
WLHDCB	0.37

Fixing Angle



Part No.	Wt
WLFA	0.6

Pendant Channel



Part No.	Wt
WLPC/2500	6.50